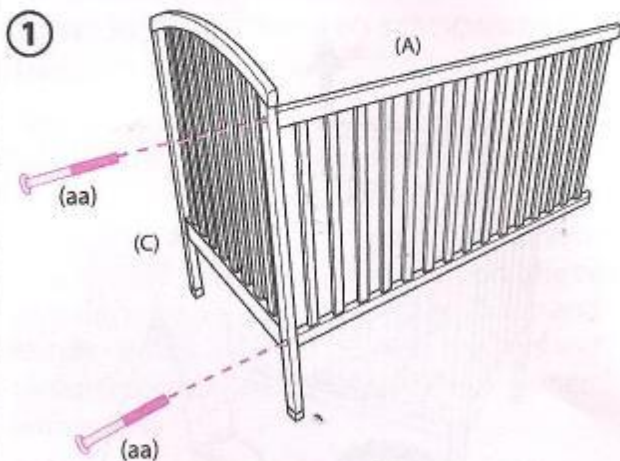


Model Number 8755 HT Aspen 4 in 1 by Simplicity for Children

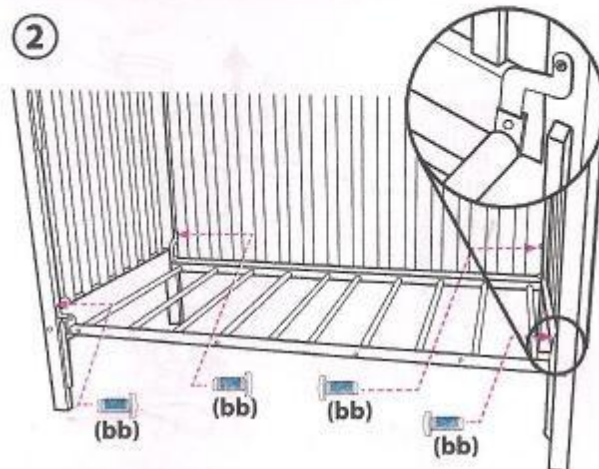
Crib Assembly and Operation



Attaching Stationary Side

Slide tab ends of the stationary side (A) into the left Crib end panel (C). The rounded rail of the stationary side must be up. Secure top and bottom rails to end panel with bolts (aa). Repeat for right Crib end.

Note: Bolts go through the end panels into the end of the Stationary Side.



Attaching Mattress Support

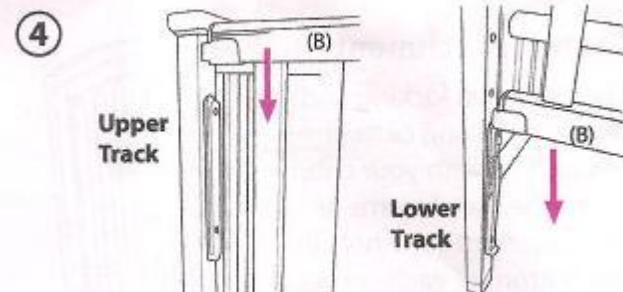
Attach the completed Mattress Support Assembly to the Crib using four Bolts (bb) with Blue Locking paint on the threads.

NOTE: For infants set the mattress support in an upper position for greater accessibility. As your child grows and can stand the mattress support must be lowered. See Warning Statements.



Attaching Mattress Support: Continued...

IMPORTANT: When attaching mattress support you must make sure that the bend in the "S" bracket is facing towards the inside of the crib on all 4 brackets used to attach the mattress support.



Attaching Drop Side

Line up top of drop side rail (B) with the top of both upper tracks. Raise rail about one inch. Then line up lower track. Slide drop side rail down until it locks in place. If drop side does not slide smoothly, apply a small amount of petroleum jelly to the tracks for easier use.

When assembly is complete, return instructions to the envelope attached to the Mattress Support. Close envelope to retain instructions for future use.

Lowering and Raising Drop Side

5

Let drop side slide into lower position.



To lower: The drop side, (1) lift at the center of the top rail and then (2) push in with your leg at the center of the bottom rail. (3) Allow the drop side to slide into its lower position.

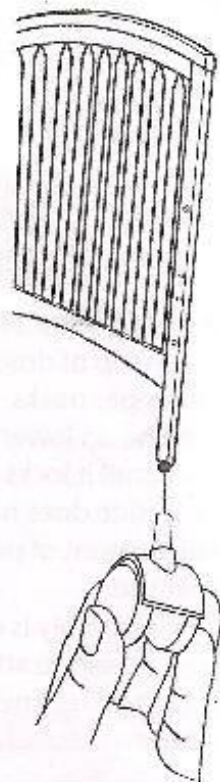
6



To raise: The drop side to the upper position, lift at the center of the top rail until both ends click into place.

Caster Attachment

There are two locking and two non-locking casters (I) supplied with your crib. Insert the metal stems of the casters into the hole in the bottom of each corner "post" of your crib. The non locking casters go on the back of the crib (stationary side) and the locking casters go on the front of the crib."



Safe Battery Use

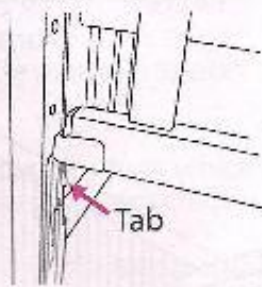
- Keep batteries out of children's reach.
- Batteries may leak fluids that cause a chemical burn injury or ruin your product. To avoid battery leakage:
 - Do not mix different battery types.
 - Do not mix old and new batteries.
 - Make sure batteries are inserted correctly.
 - Do not mix alkaline, standard, or rechargeable batteries.
- Discard leaky batteries immediately. When discarding batteries, be sure to dispose of them in the proper manner, according to your state and local regulations.

Converting to Transitional Bed

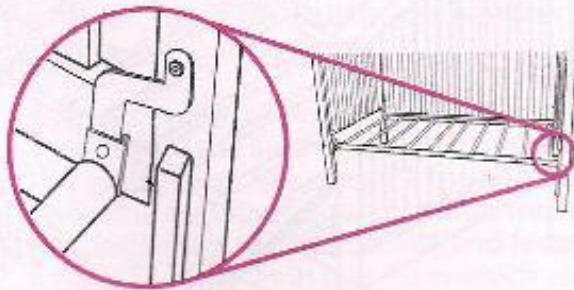
①

Remove Drop side.

Lift drop side. Push in on the tabs at the top of both lower tracks to slide the drop side up off the tracks as shown.



②



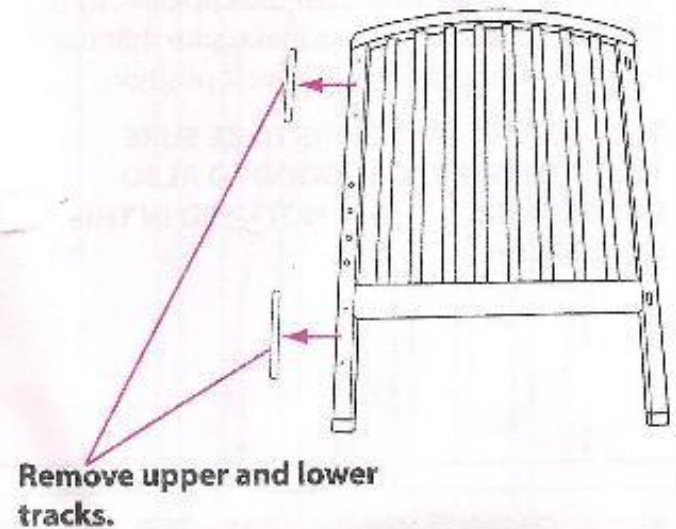
Position Mattress Support.

Mattress support must be in the lowest position. If not, use the allen wrench to remove bolts. Lower support into position and re-attach to headboard.

③

Remove Casters.

To protect your floor and the crib legs pull casters off crib. Make sure casters sockets stay on legs.

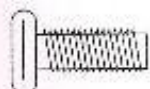
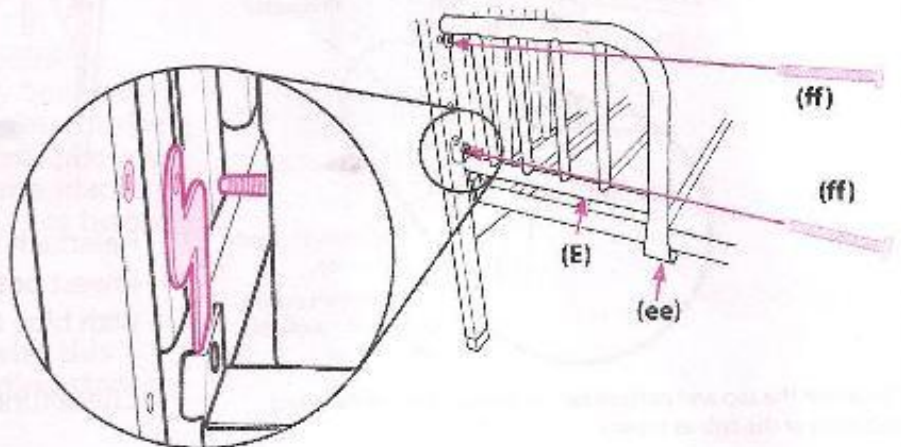


Install Safety Rails

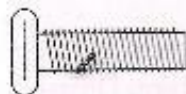
Attach the left safety rail as follows: Remove the mattress support bolt, closest to the lower "arm" of the safety rail. Attach the lower "arm" of the left safety rail in front of the "S" bracket and into the headboard using Allen bolt (ff) and the Allen wrench. Attach the upper "arm" of the left safety rail loosely to the headboard using the other Allen bolt (ff). Connect the rail to the underside of the mattress support using another Allen bolt (ee) screwed through the "J" hook of the safety rail into the threaded insert in the underside of the mattress support. **Repeat for other safety rail.**

RECHECK ALL FASTENERS ON ENTIRE CRIB TO BE SURE THEY ARE TIGHT.

NOTE: Make sure you insert bottom bolt of safety rail through the "S" hook of the mattress support into the lowest mattress position.



(ee) (x2)



(ff) (x4)